

SE EXTC Sem IV CBCS

(Time: 3 Hours)

[Total Marks: 80]

- N.B.:** (1) Question No. 1 is compulsory.
 (2) Solve any three questions from the remaining five.
 (3) Figures to the right indicate full marks.
 (4) Assume suitable data if necessary and mention the same in answer sheet.

- Q.1 Attempt any 4 questions:
- With neat circuit explain the working of comparator circuit. [05]
 - Write short note on: Bi FET and Bi MOS differential amplifier circuit. [05]
 - Design a circuit with Op Amp, resistors and a capacitor that simulates an inductor of 1 H. [05]
 - For a regulated dc power supply the output voltage varies from 12 V to 11.6 V when the load current is varied from 0 to 100 mA which is the maximum value of I_L . If the ac line voltage and temperature are constant, calculate the load regulation, % load regulation and output resistance of the power supply. [05]
 - How can the true RMS value of voltage signal be measured using analog multipliers. [05]
- Q.2 (a) Design an adjustable output voltage regulator circuits using IC 317 to give 5 to 12 volts at $I_L=1$ Amp. Given; $I_{ADJ}=100 \mu A$ and let $R_1=240 \Omega$. [10]
 (b) Explain the operation of single slope integrating ADC and state its advantages, disadvantages. [10]
- Q.3 (a) Draw a neat circuit diagram of a RC phase shift oscillator using op-amp. Derive its frequency of oscillation. What are the values of R and C for frequency of oscillation to be 1 kHz? [10]
 (b) Explain the working principle of successive approximation type ADC. [10]
- Q.4 (a) With the help of a neat diagram, input and output waveforms and voltage transfer characteristics explain the working of non-inverting Schmitt trigger. Derive the expressions for its threshold levels. Explain how these levels can be varied? [10]
 (b) Design a differentiator to differentiate an input signal that varies in frequency from 10 Hz to about 500 Hz. Draw its frequency response. If a sine wave of 2 V peak at 500 Hz is applied to the differentiator, write expression for its output and draw output waveform. [10]
- Q.5 (a) Draw the circuit diagram of a square and triangular waveform generator using op-amp. With the help of waveforms at suitable points in the circuit explain its working. Explain how duty cycle can be varied? [10]

- (b) Analyze the circuit given in Fig. 5(b). Draw the waveforms at output terminal v_O and across the capacitor C . Comment on the duty cycle of output waveform. Take diode D as an ideal diode and assume R_A is equal to R_B . [10]

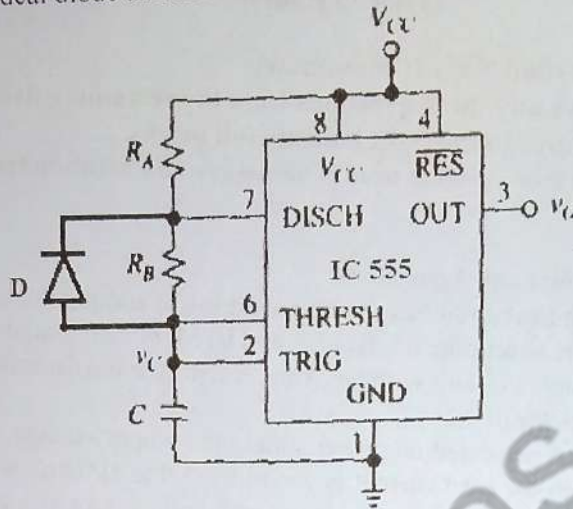


Fig. 5(b)

Q.6 Short notes on: (Attempt any four)

- Wilson current source.
- Temperature compensated log amplifier.
- Wein bridge oscillator.
- XR2206 waveform generator.
- Switch mode power supply.

[05]
[05]
[05]
[05]
[05]